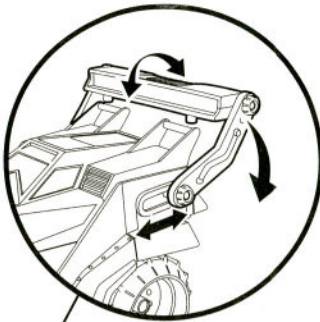
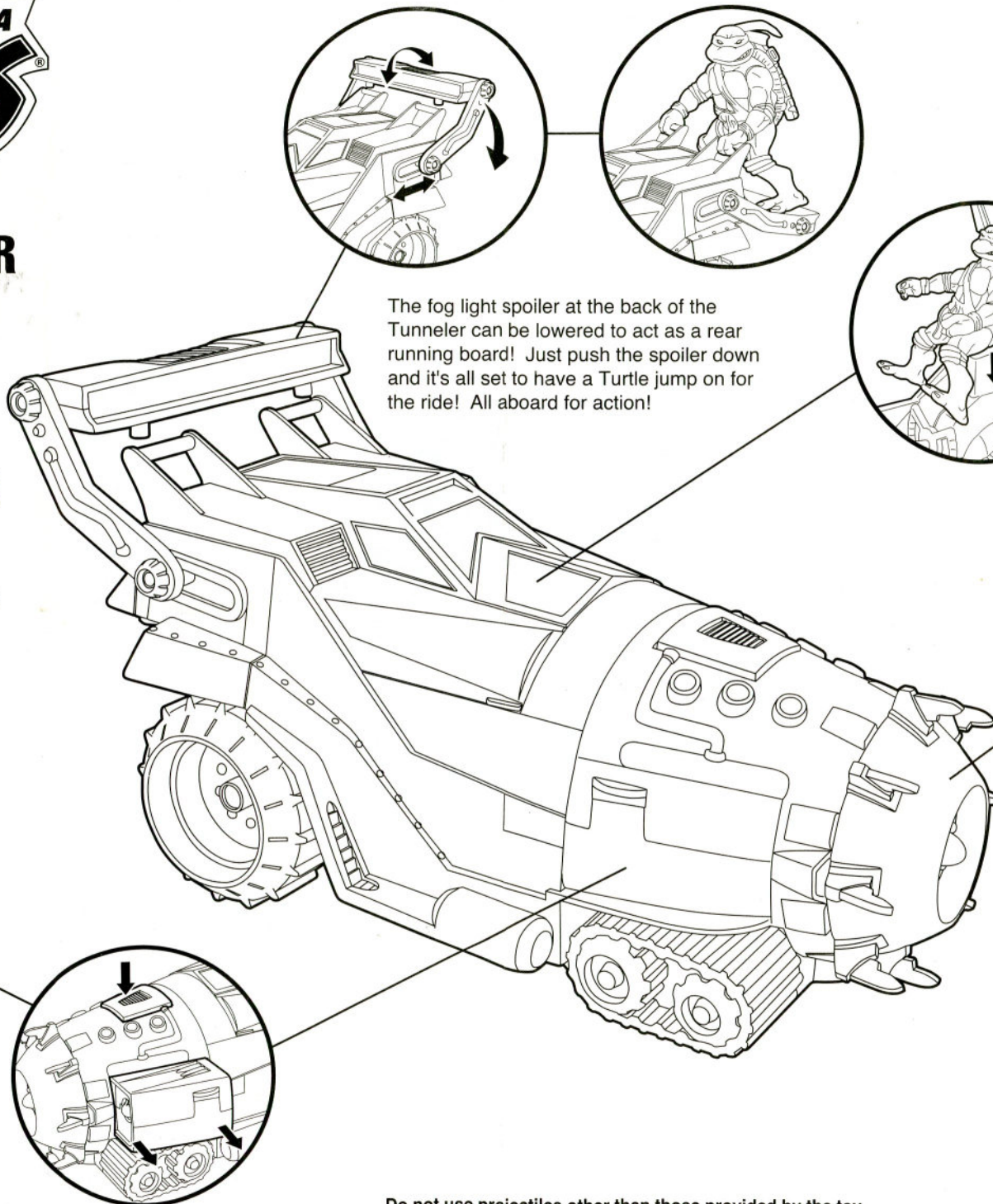


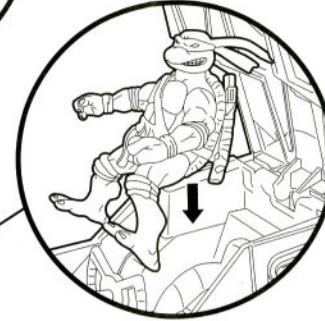


# TURTLE TUNNELER INSTRUCTIONS:

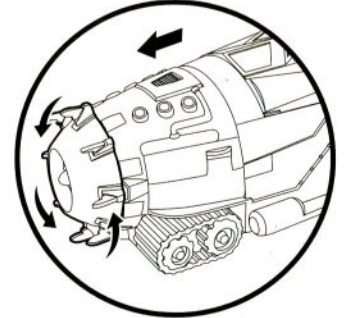
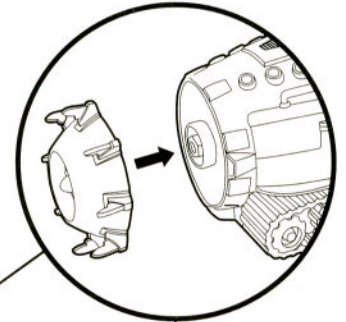
A good defense is a good offense! The tricked-out Turtle Tunneler comes ready to rumble with mutant-powered missiles! First thing to do is to press down on the engine scoop in order to deploy the missile unit. Once the unit is deployed all you have to do is press the button on the missile unit and fire away! (Just be careful where you aim!)



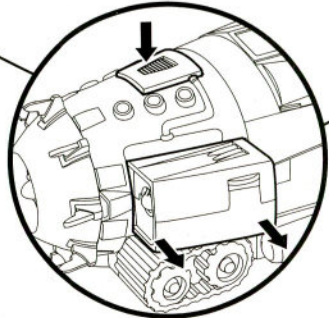
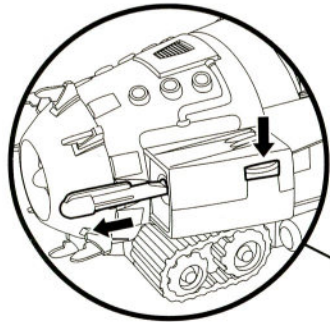
The fog light spoiler at the back of the Tunneler can be lowered to act as a rear running board! Just push the spoiler down and it's all set to have a Turtle jump on for the ride! All aboard for action!



Time to get behind the wheel! The cockpit opens upward to seat a Turtle driver! Once the Turtle is seated you can close the cockpit and let the Turtle get into stealth driving mode!



The Tunneler's front-end deep-digging blades really spin! All you have to do is push the Tunneler along on its wheels in order to make the blades rotate! Let the adventure begin!



Age 4 and up

**Playmates** ASST NO. 154150  
STOCK NO. 54157

Do not use projectiles other than those provided by the toy.

Teenage Mutant Ninja Turtles® © 2004 Mirage Studios, Inc. Teenage Mutant Ninja Turtles®, Leonardo®, Michelangelo®, Donatello®, Raphael®, Splinter®, Shredder®, and April O'Neil® are registered trademarks of Mirage Studios, Inc. All Rights Reserved. PRINTED IN CHINA.