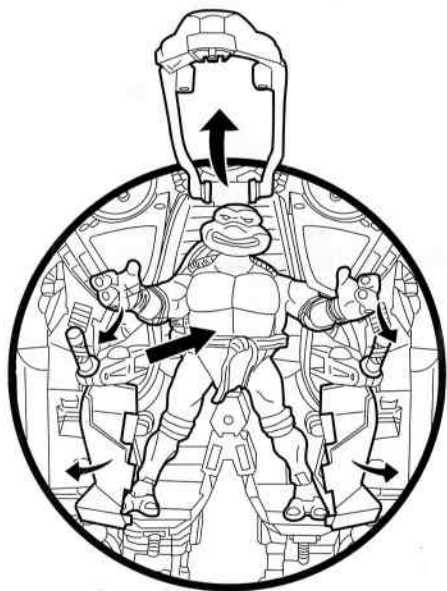
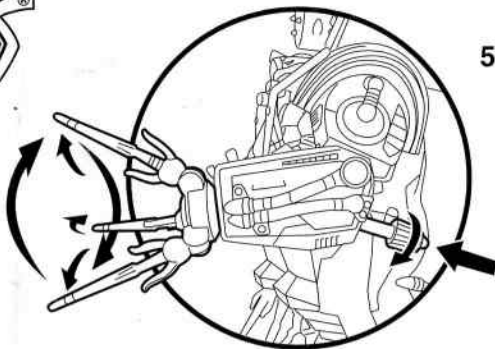




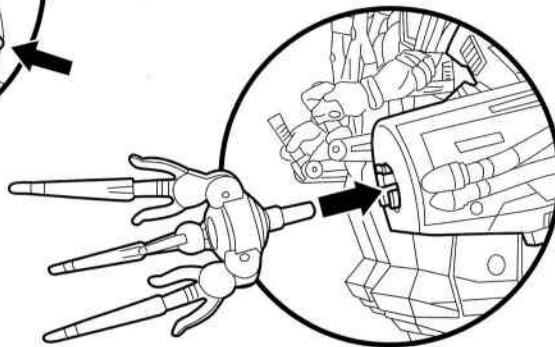
M.E.C.H. WREKKERS RAPH INSTRUCTIONS



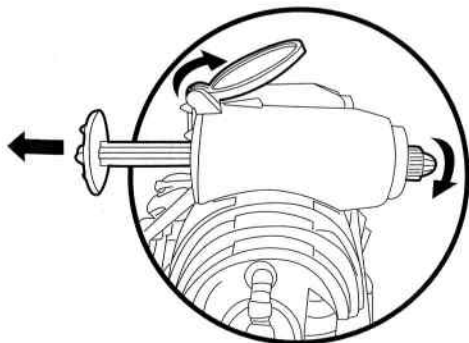
1. Open the shoulder bars and leg covers, then secure Raph in position with hand on handle bars. Close shoulder bar and leg covers to starting position.



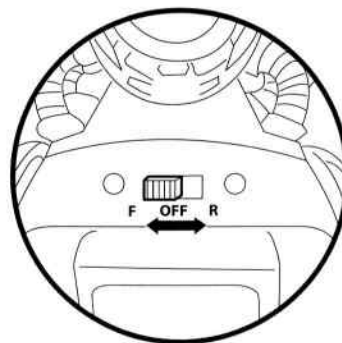
5. Push and rotate the elbow mounted rods to rotate and open the Sais.



4. Snap on mega-sais to wrists.



2. Open the launchers' covers, then rotate the launchers' exhaust nozzle to fire missiles.



3. Move the switch on the back to "F" to watch Raph go forward, or to "R" to watch him move in reverse.

To replace batteries:

- 1). Remove screw from battery cover and remove battery cover door.
- 2). Replace batteries with three new "AA" batteries.
- 3). Replace cover and replace screw.

Battery Regulations:

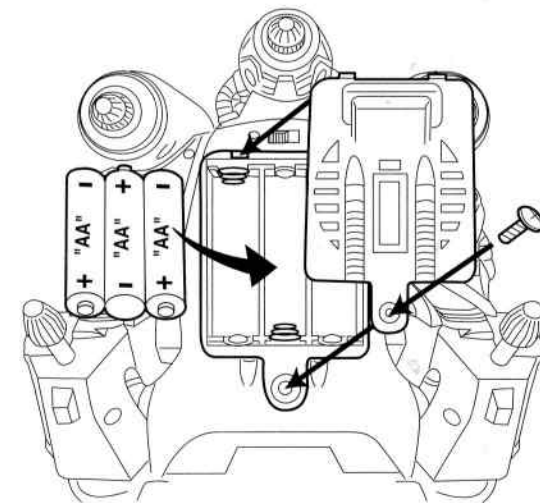
- do not mix old and new batteries,
- do not mix alkaline, standard (carbon-zinc), or rechargeable (nickel-cadmium) batteries.

This device complies with Part 15 of the FCC Rules. Operation is subject to the following two conditions: (1) this device may not cause harmful interference, and (2) this device must accept any interference received, including interference that may cause undesired operation.

Battery Instructions:

- do not use rechargeable batteries;
- non-rechargeable batteries are not to be recharged;
- different types of batteries or new and used batteries are not to be mixed;
- only batteries of the same or equivalent type as recommended are to be used;
- batteries are to be inserted with the correct polarity;
- exhausted batteries are to be removed from the toy;
- the supply terminals are not to be short-circuited.

Under the environment with severe electrostatic discharge, the product may malfunction and requires user reset.



Age 4 and up

Playmates ASST. NO. 54650
STOCK NO. 54652

Do not use projectiles other than those provided by the toy.

Teenage Mutant Ninja Turtles® © 2005 Mirage Studios, Inc. Teenage Mutant Ninja Turtles®, Leonardo®, Michelangelo®, Donatello®, Raphael®, Splinter®, Shredder®, and April O'Neil® are registered trademarks of Mirage Studios, Inc. All Rights Reserved. PRINTED IN CHINA.